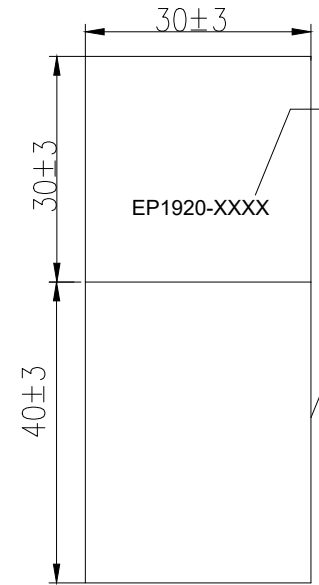
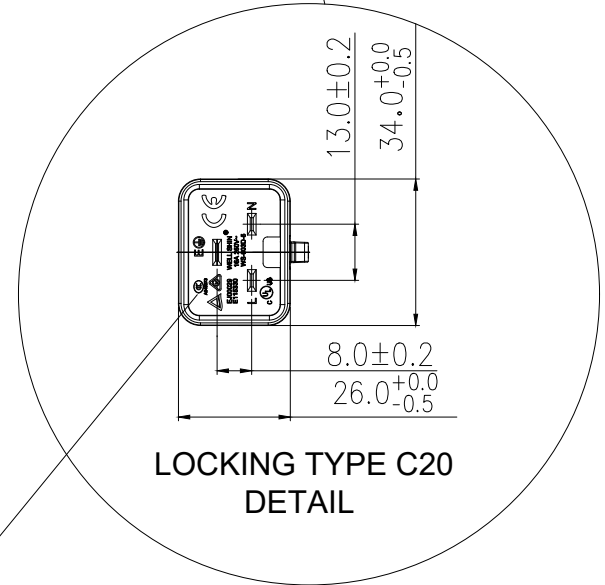
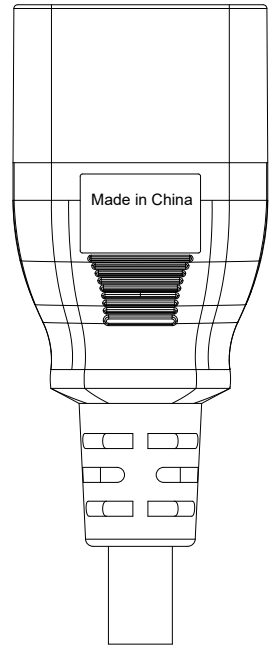
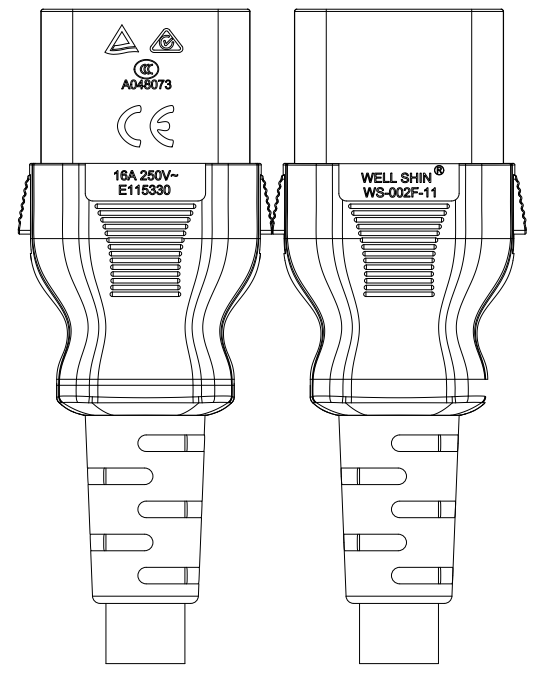
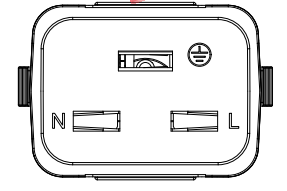
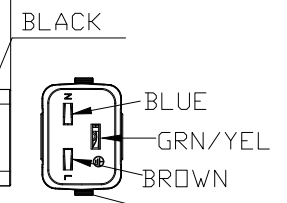
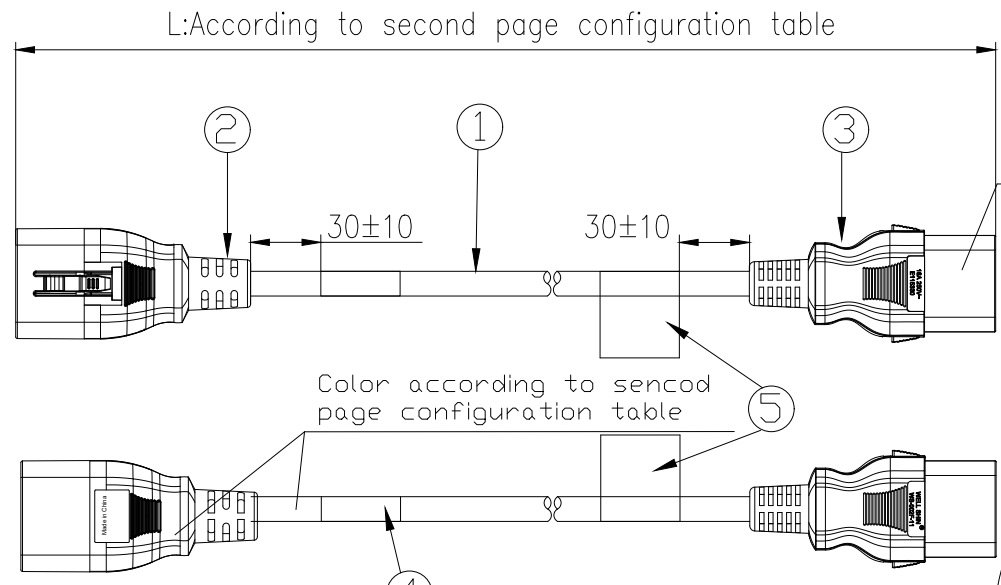
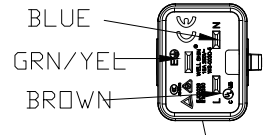
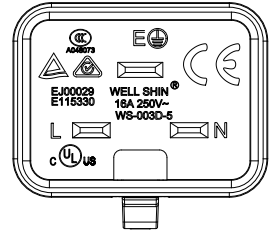


Customer info.		ECN No.	Drawing mark	Places	REV.	Sign	Date
REV.	PN						
--	--	--	--	--	A	Wanbin Liu	20210603

DESIGN (PDU)
ENGINEERING

PLUG MARKING

CONNECTOR MARKING



See the table on page 2
(Part No)

Only the black configuration use the CCC mark, the other configuration remove the CCC and number.

5	LA00532	WARNING LABEL	1				
4		Product LABEL	1				
3	WS-002F-11	LOCKING TYPE C19 250V~	1				
2	EJ00029	LOCKING TYPE C20 250V~	1				
1		C(UL)US E90165-K SJT 3x1.65mm ² (15AWG) 105°C 300V VW-1 WELL SHIN H05VV-F 3G 1.5mm ² <VDE> FIDNS IEMMEQU V-75 250/440V ORDINARY DUTY NSW24707 K-WELL SHIN CCC A048073 60227 IEC 53(RVV) 300/500V 3*1.5MM ² 维尔斯电子(昆山)有限公司	1				
Item	PN	Description	Qty	Material	PCS	TOL	Remark
					Weight		

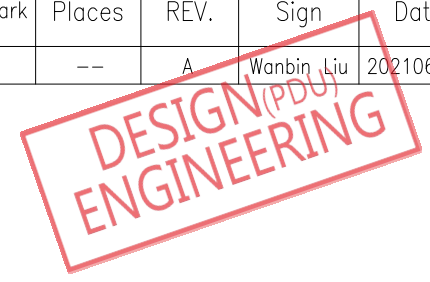
- Notes:
- The power cord defined by this document if where conflicting specifications are defines, please contact CIS engineer,
 - All components that make-up the cable assembly must be RoHS compliant.
 - All wire defined in this specification must less than 1000ppm of lead and less than 300ppm for the cable external materials.
 - All components need to be cULus/VDE or TUV approved and CE mark.
 - Tolerance: ±20mm (0<L≤1m(3.5FT), ±50mm (1<L≤3m(9.8FT), ±70mm (L>3m) (9.8FT))
 - C20 and power cord color see configuration table.

CISGLOBAL

泛亚电子工业无锡有限公司

Project	ENLOGIC JUMPER CORD	The seal is effective	
PN	810-01XXX-EP1920-XX*XX (EP1920-XX*XX)		
Title	LOCKING TYPE JUMPER CORD C19/C20	Weight	
Design	Wanbin Liu	Date	20210603
Check	Nate Wang	Date	20210603
Review	Talon Lv	Date	20210603
Approve	Hanson Xu	Date	20210603
Material	N/A	Scale	NA
		Unit	mm/kg
		Size	
		Page 1 of 2	

Customer info.		ECN No.	Drawing mark	Places	REV.	Sign	Date
REV.	PN						
--	--	--	--	--	A	Wanbin Liu	20210603



CONFIGURATION TABLE

Item	Part No	SKU No	STL P/N	Type	L[inch]	C20 cable color	C19 connect color	Cords spec	Authentication code	Cartons per pallet	Cords per carton
810-01875	EP1920-024	EP1920-024x100	PFC201.5/15EWL24	C19/C20	24	Black	Black	H05VV-F 1.5mm2, SJT 15AWG	CE/VDE/UL	24	100
810-01876	EP1920-036	EP1920-036x75	PFC201.5/15EWL36	C19/C20	36	Black	Black	H05VV-F 1.5mm2, SJT 15AWG	CE/VDE/UL	24	75
810-01877	EP1920-048	EP1920-048x75	PFC201.5/15EWL48	C19/C20	48	Black	Black	H05VV-F 1.5mm2, SJT 15AWG	CE/VDE/UL	24	75
810-01878	EP1920-072	EP1920-072x50	PFC201.5/15EWL72	C19/C20	72	Black	Black	H05VV-F 1.5mm2, SJT 15AWG	CE/VDE/UL	24	50
810-01879	EP1920-096	EP1920-096x50	PFC201.5/15EWL96	C19/C20	96	Black	Black	H05VV-F 1.5mm2, SJT 15AWG	CE/VDE/UL	24	50
810-01880	EP1920-120	EP1920-120x40	PFC201.5/15EWL120	C19/C20	120	Black	Black	H05VV-F 1.5mm2, SJT 15AWG	CE/VDE/UL	24	40
810-01881	EP1920-B24	EP1920-B24x100	PFC201.5/15EWL24B	C19/C20	24	Blue PT285C	Black	H05VV-F 1.5mm2, SJT 15AWG	CE/VDE/UL	24	100
810-01882	EP1920-B36	EP1920-B36x75	PFC201.5/15EWL36B	C19/C20	36	Blue PT285C	Black	H05VV-F 1.5mm2, SJT 15AWG	CE/VDE/UL	24	75
810-01883	EP1920-B48	EP1920-B48x75	PFC201.5/15EWL48B	C19/C20	48	Blue PT285C	Black	H05VV-F 1.5mm2, SJT 15AWG	CE/VDE/UL	24	75
810-01884	EP1920-B72	EP1920-B72x50	PFC201.5/15EWL72B	C19/C20	72	Blue PT285C	Black	H05VV-F 1.5mm2, SJT 15AWG	CE/VDE/UL	24	50
810-01885	EP1920-B96	EP1920-B96x50	PFC201.5/15EWL96B	C19/C20	96	Blue PT285C	Black	H05VV-F 1.5mm2, SJT 15AWG	CE/VDE/UL	24	50
810-01886	EP1920-B120	EP1920-B120x40	PFC201.5/15EWL120B	C19/C20	120	Blue PT285C	Black	H05VV-F 1.5mm2, SJT 15AWG	CE/VDE/UL	24	40
810-01887	EP1920-R24	EP1920-R24x100	PFC201.5/15EWL24R	C19/C20	24	Red 187C	Black	H05VV-F 1.5mm2, SJT 15AWG	CE/VDE/UL	24	100
810-01888	EP1920-R36	EP1920-R36x75	PFC201.5/15EWL36R	C19/C20	36	Red 187C	Black	H05VV-F 1.5mm2, SJT 15AWG	CE/VDE/UL	24	75
810-01889	EP1920-R48	EP1920-R48x75	PFC201.5/15EWL48R	C19/C20	48	Red 187C	Black	H05VV-F 1.5mm2, SJT 15AWG	CE/VDE/UL	24	75
810-01890	EP1920-R72	EP1920-R72x50	PFC201.5/15EWL72R	C19/C20	72	Red 187C	Black	H05VV-F 1.5mm2, SJT 15AWG	CE/VDE/UL	24	50
810-01891	EP1920-R96	EP1920-R96x50	PFC201.5/15EWL96R	C19/C20	96	Red 187C	Black	H05VV-F 1.5mm2, SJT 15AWG	CE/VDE/UL	24	50
810-01892	EP1920-R120	EP1920-R120x40	PFC201.5/15EWL120R	C19/C20	120	Red 187C	Black	H05VV-F 1.5mm2, SJT 15AWG	CE/VDE/UL	24	40

- Notes:
1. The power cord defined by this document if where conflicting specifications are defines, please contact CIS engineer,
 2. All components that make-up the cable assembly must be RoHS compliant.
 3. All wire defined in this specification must less than 1000ppm of lead and less than 300ppm for the cable external materials.
 4. All components need to be cULus/VDE or TUV approved and CE mark.
 5. Tolerance:±20mm (0<L≤1m(3.5FT), ±50mm (1<L≤3m(9.8FT), ±70mm (L>3m) (9.8FT))
 6. C20 and power cord color see configuration table.

CISGLOBAL				Project	ENLOGIC JUMPER CORD		The seal is effective		
泛亚电子工业无锡有限公司				PN	810-01XXX-EP1920-XX*XX (EP1920-XX*XX)				
Design	Wanbin Liu	Date	20210603	Title	LOCKING TYPE JUMPER CORD C19/C20		Weight		
Check	Nate Wang	Date	20210603		Scale	NA		Unit	mm/kg
Review	Talon Lv	Date	20210603		Size			Page 2 of 2	
Approve	Hanson Xu	Date	20210603		Material	N/A			