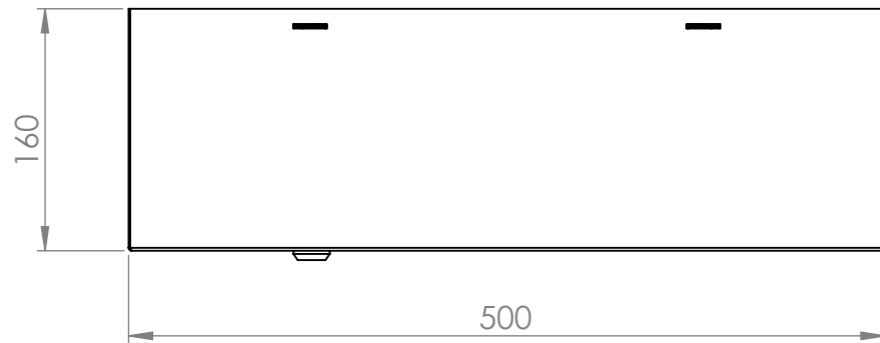
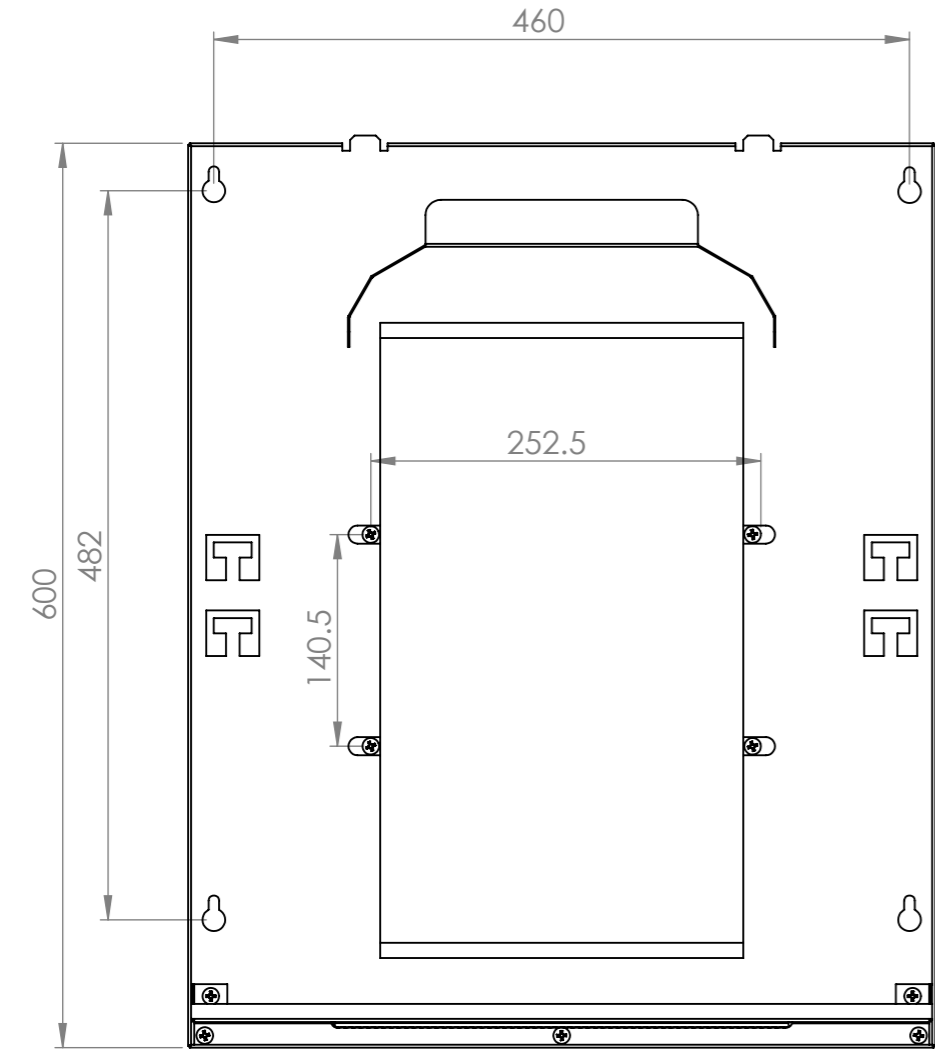


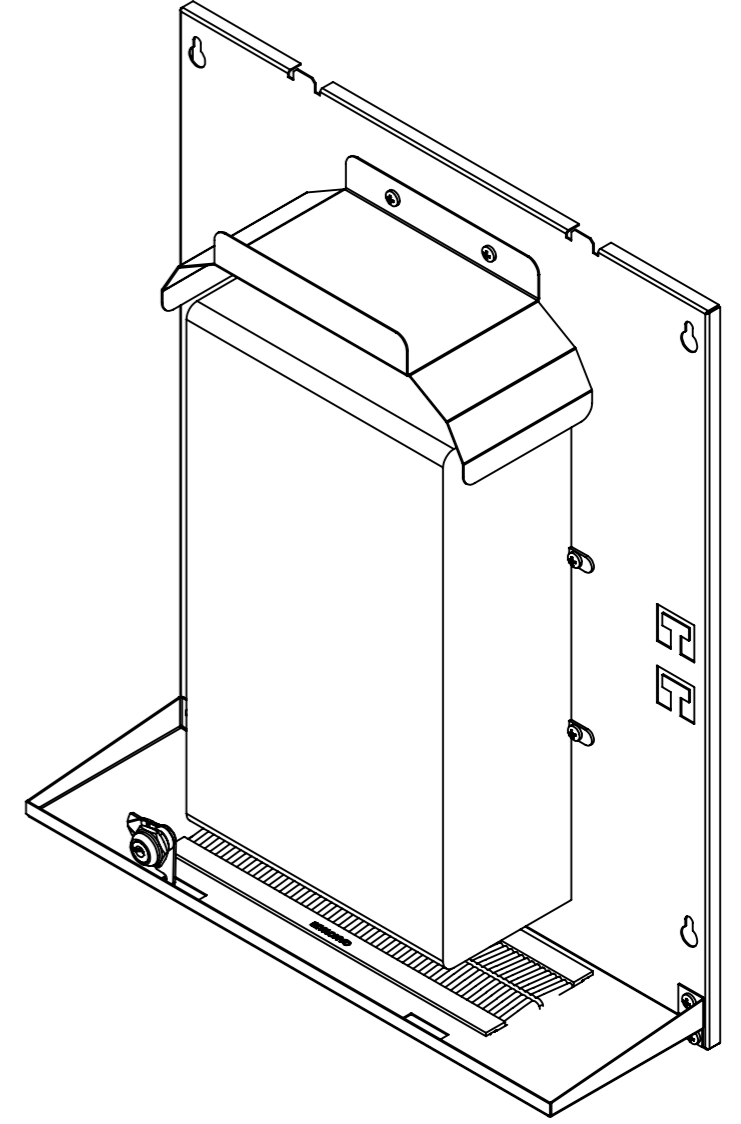
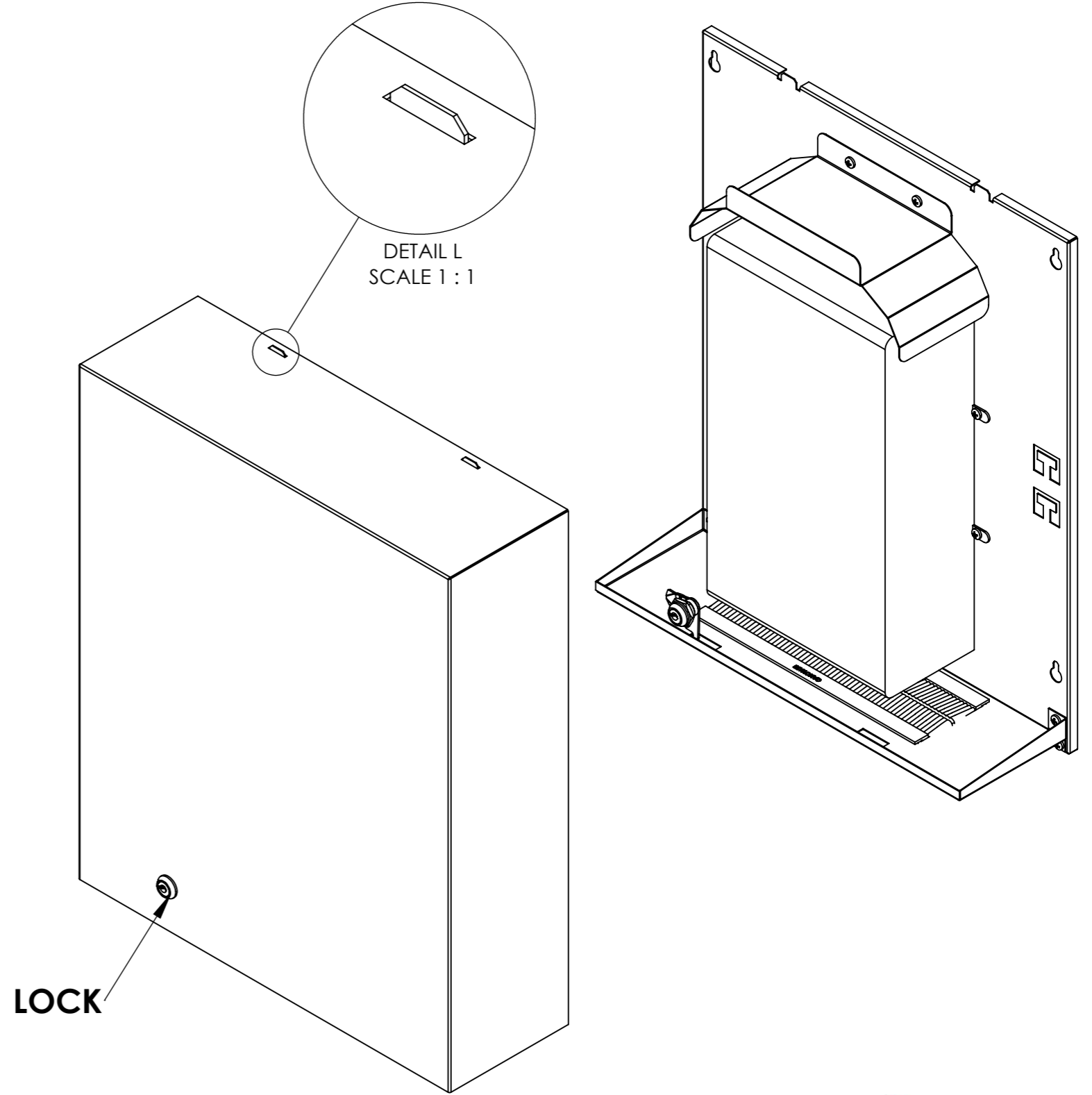
The contents of this document are property of ALCADON and could not be copied, reproduced or disclosed to a third party without written consent of the proprietor

Alcadon



GENEL TOLERANSLAR DIN ISO 2768-m	OLCU TOL.	>0-6 ±0.1	>6-30 ±0.2	>30-120 ±0.3	>120-400 ±0.5	>400-1000 ±0.8	>1000-2000 ±1.2	>2000-4000 ±2
-------------------------------------	--------------	--------------	---------------	-----------------	------------------	-------------------	--------------------	------------------

REVISIONS				
ZONE	REV.	DESCRIPTION	DATE	APPROVED
	A		19.07.2023	



KOD TABLOSU		UNLESS OTHERWISE SPECIFIED: DIMENSIONS ARE IN MILLIMETERS			FINISH:		TITLE:	
BOYA	B	RAL 7035 G	Surface finish: μ Linear : DIN 7168-m Angular : DIN 7168-m Hole : DIN 7168-m				FIBER BOX	
		RAL 9005 N						
MONTAJ	M	RAL 7035 Q	DRAWN	Alpcan Gürsoy	SIGNATURE	DATE	19 Temmuz 2023 Çarşamba 17:11:16	DWG NO.
		RAL 9005 S	MFG			19.07.2023	M23-074	
			CHK'D					
			Q.A				SURFACE AREA: -0 dm²	
							WEIGHT: 20197.33 Kg	SCALE:1:5
								SHEET 2 OF 2

Alcadon